

## Technical Data Sheet AQUABOX ST

### 1. DESCRIPTION

Aquabox is a modular and inspectable element in plastic material used for the realization of underground basins for rainwater infiltration, detention and harvesting.



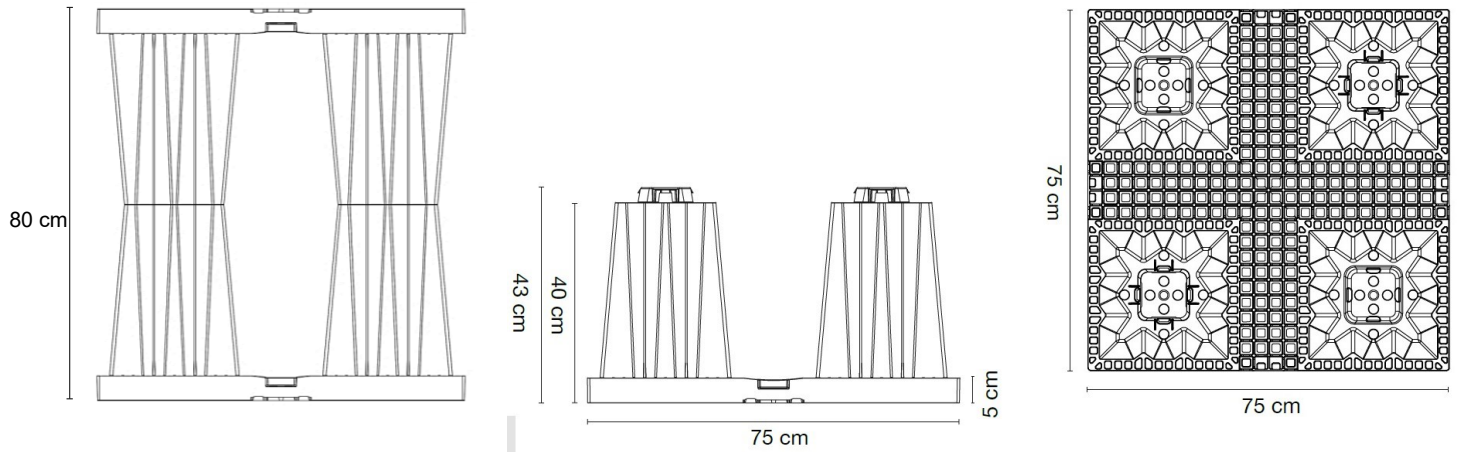
### 2. TECHNICAL SPECIFICATIONS

Material		Graplene	
Color	-	Black	
Dimensions [LxL] *	cm	75 x 75	
Height [h] *	cm	Half element 43	Full element 80
Weight **	kg	8,92	17,84
Volume	liters	225	450
Net volume	liters	216	432
Void Ratio	%	96	
Load Class	-	Pedestrian	
Production place	-	Italy	

\* in consideration of the recycled material the measurements must be considered with a tolerance of  $\pm 1.5\%$ .

\*\* varies according to the climatic conditions of the installation site ( $\pm 10\%$ )

**3. TECHNICAL DRAWINGS**



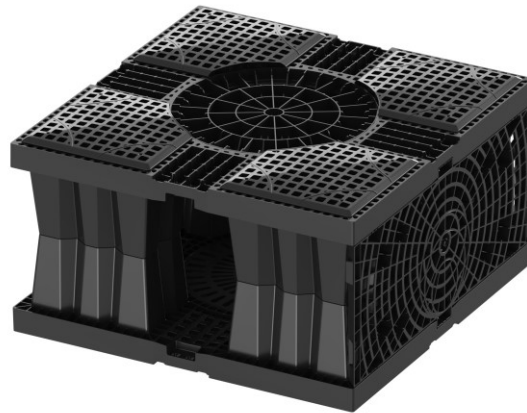
**4. PACKAGING AND TRANSPORT**

Product code	-	EDAQUAB0400
Packaging dimensions	cm	80 x 152 x H258
Type of packaging	-	Stacked and wrapped with plastic film
Pieces per pallet	pcs	80
Sqm per pallet	m <sup>3</sup>	18
Package gross weight (pallet included)	kg	730

## Technical Data Sheet AQUABOX CUBE ST

### 5. DESCRIPTION

Aquabox Cube is a modular hollow element designed to make inspection shafts for the inspection and management of Aquabox underground tanks.

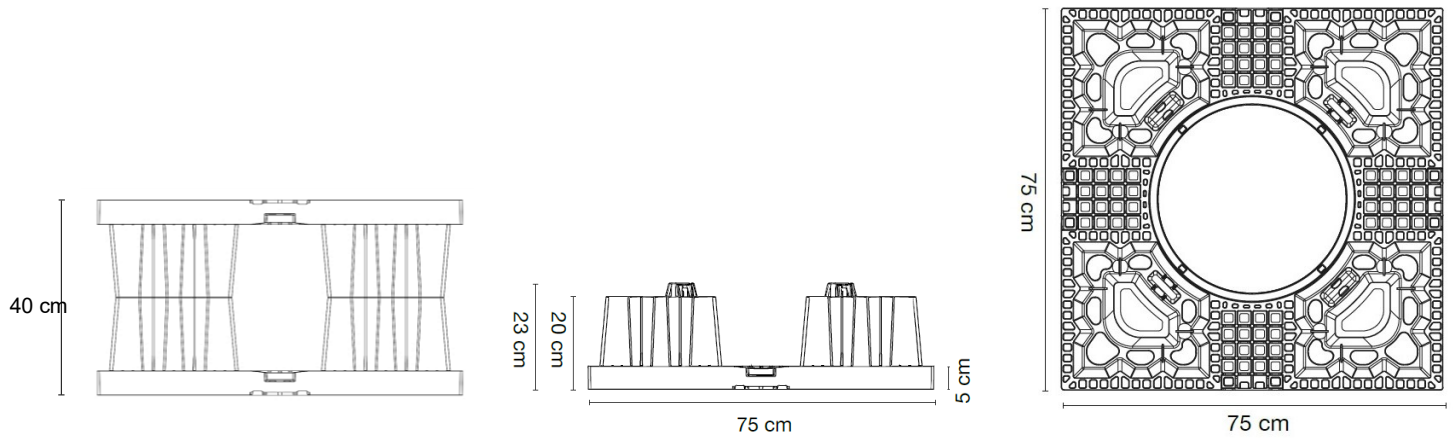


### 6. TECHNICAL SPECIFICATIONS

Material		Graplene	
Color	-	Black	
Dimensions [LxL] *	cm	75 x 75	
Height [h] *	cm	Half element 23	Full element 40
Weight **	kg	6,46	12,92
Volume	liters	112	225
Net volume	liters	106	212
Void Ratio	%	94	
Load Class	-	Pedestrian	
Production place	-	Italy	

\* in consideration of the recycled material the measurements must be considered with a tolerance of  $\pm 1.5\%$ .  
\*\* varies according to the climatic conditions of the installation site ( $\pm 10\%$ )

**7. TECHNICAL DRAWINGS**



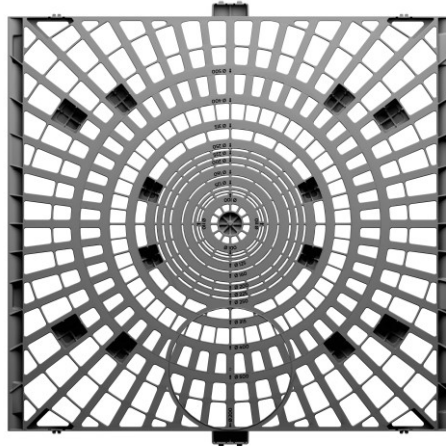
**8. PACKAGING AND TRANSPORT**

Product code	-	EDAQUBC0200
Packaging dimensions	cm	80 x 152 x H255
Type of packaging	-	Stacked and wrapped with plastic film
Pieces per pallet	pcs	88
Sqm per pallet	m <sup>3</sup>	9,85
Package gross weight (pallet included)	kg	300

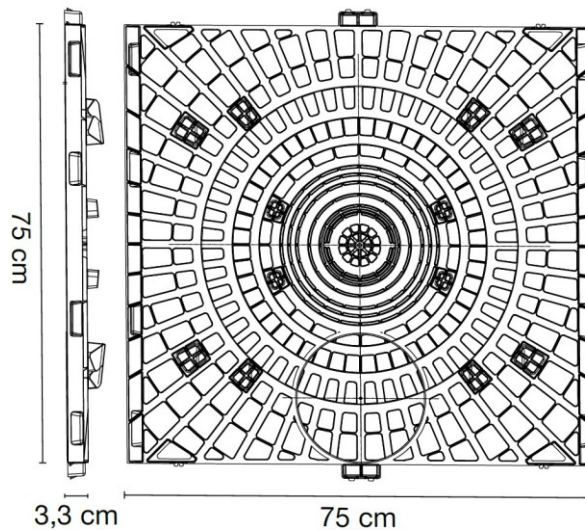
## Technical data sheet SIDEWALL GRID ST

### 9. DESCRIPTION

Aquabox Sidewall grid is used to close the lateral surface of the basin and is fixed to Aquabox with a simple integrated clip.



### 10. TECHNICAL DRAWINGS



*\* in consideration of the recycled material the measurements must be considered with a tolerance of  $\pm 1.5\%$ .*

## 11. TECHNICAL SPECIFICATIONS

Material	-	Graplene
Dimensions *	cm	75 x 75 x H3,3
Weight	kg	2,42 (± 10%)
Pipe nominal diameter inlet/outlet (DN/OD)	cm	100, 110, 125, 160, 200, 225, 250, 315, 400, 500
Production place	-	Italy

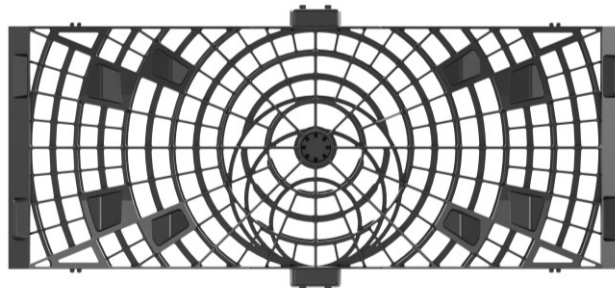
## 12. PACKAGING AND TRANSPORT

Product code	-	EDAQSWG0033
Packaging dimensions	cm	75 x 150 x H250
Type of packaging	-	Stacked and wrapped with plastic film
Pieces per pallet	pcs	140
Package gross weight (pallet included)	kg	350

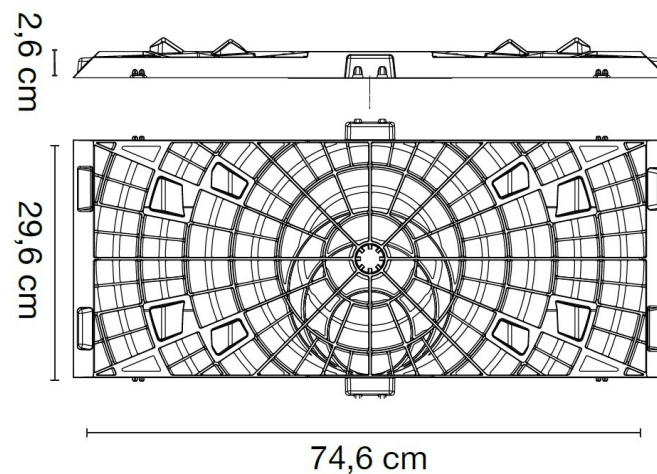
## Technical data sheet SIDEWALL GRID CUBE ST

### 13. DESCRIPTION

Aquabox Cube sidewall grid is used for the side closing of each module when the access point is installed at the perimeter or at the edge of the basin.



### 14. TECHNICAL DRAWINGS



*\* in consideration of the recycled material the measurements must be considered with a tolerance of  $\pm 1.5\%$ .*

## 15. TECHNICAL SPECIFICATIONS

Material	-	Graplene
Dimensions *	cm	75 x 30 x H2,6
Weight	kg	1,2 (± 10%)
Pipe nominal diameter inlet/outlet (DN/OD)	cm	100,160, 200
Production place	-	Italy

## 16. PACKAGING AND TRANSPORT

Product code	-	EDAQSWG0026
Packaging dimensions	cm	75 x 150 x H250
Type of packaging	-	Impilato e avvolto in film plastico su bancale
Pieces per pallet	pcs	280
Package gross weight (pallet included)	kg	350



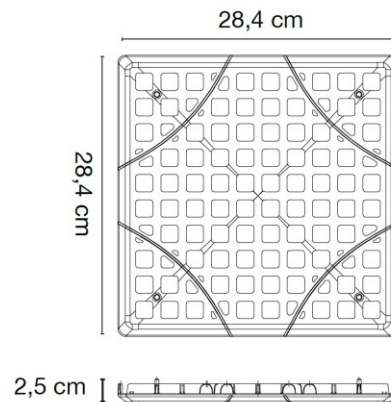
## Technical data sheet ST TOP CAP

### 17. DESCRIPTION

Perforated closing cap for the top surface of the Aquabox and Aquabox Cube element.



### 18. TECHNICAL DRAWINGS



### 19. TECHNICAL SPECIFICATIONS

Material	-	Graplene
Dimensions *	cm	28,4 x 28,4 x H2,5
Weight	kg	0,33 (± 10%)
Production place	-	Italy

*\* in consideration of the recycled material the measurements must be considered with a tolerance of ± 1.5%.*

### 20. PACKAGING AND TRANSPORT

Product code	-	EDAQTOC0024
Packaging dimensions	cm	90 x 120 x H255
Type of packaging	-	Impilato e avvolto in film plastico su bancale
Pieces per pallet	pcs	1200
Package gross weight (pallet included)	kg	410

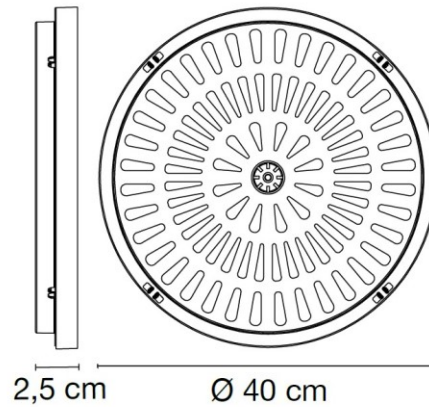
## Technical data sheet D4 ST CAP

### 21. DESCRIPTION

Circular lid to close the bottom side of the Aquabox Cube inspection shaft.



### 22. TECHNICAL DRAWINGS



*\* in consideration of the recycled material the measurements must be considered with a tolerance of  $\pm 1.5\%$ .*

### 23. TECHNICAL SPECIFICATIONS – PACKAGING AND TRANSPORT

Product code	-	EDAQCCD0400
Material	-	Graplene
Dimensions	cm	2,5 - Ø 40
Weight	kg	1,06 ( $\pm 10\%$ )
Packaging dimensions	cm	82 x 122 x H258
Pieces per pallet		312
Production place	-	Italy

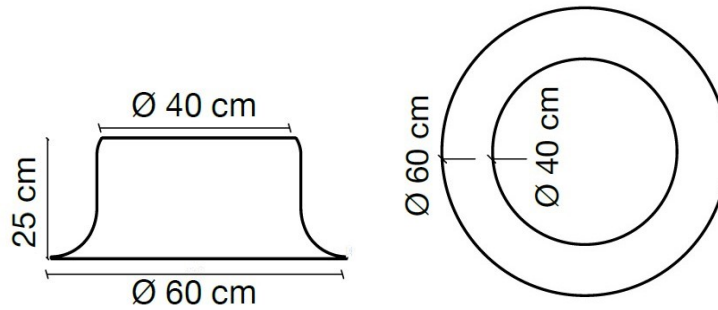
## Technical data sheet D4 CONNECTOR

### 24. DESCRIPTION

Connection element to facilitate the insertion of the corrugated tube into the Aquabox Cube pit.



### 25. TECHNICAL DRAWINGS



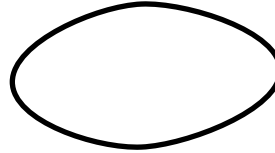
### 26. TECHNICAL SPECIFICATIONS

Product code	-	EDCONND0040
Material	-	Gratene Black
Dimensions	cm	Ø 60/40 x 25
Production place	-	Italy

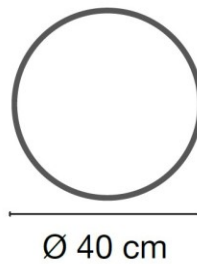
## Technical data sheet O-RING

### 27. DESCRIPTION

Sealing gasket



### 28. TECHNICAL DRAWINGS



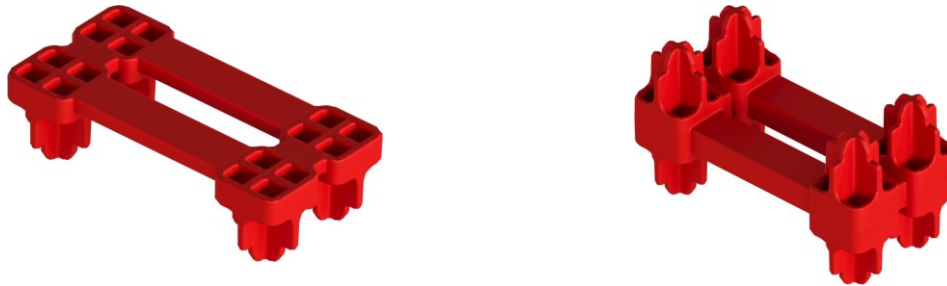
### 29. TECHNICAL SPECIFICATIONS

Product code	-	EDGUARA0040
Material	-	Elastomer
Dimensions	cm	Ø 40 x 3,7
Production place	-	Italy

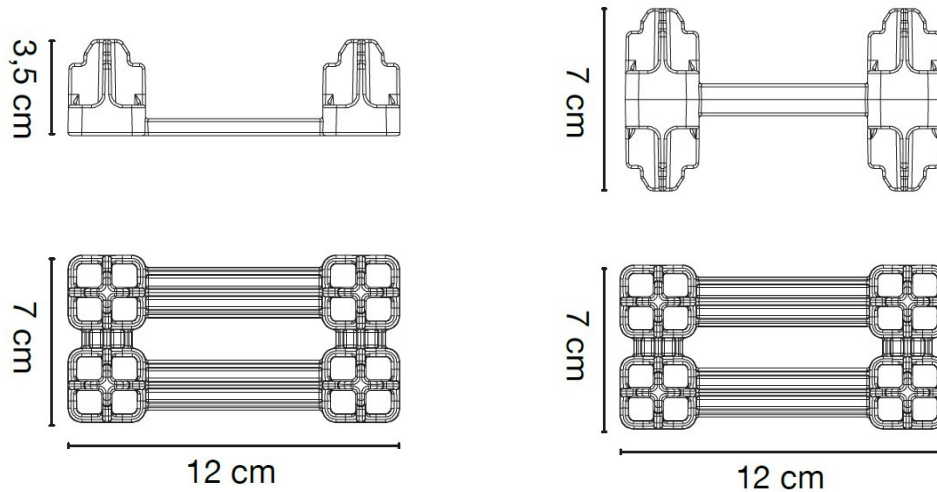
## Technical data sheet JOINTS

### 30. DESCRIPTION

Universal connection components for Aquabox and Aquabox Cube



### 31. TECHNICAL DRAWINGS



### 32. TECHNICAL SPECIFICATIONS – PACKAGING AND TRANSPORT

Product code	-	EDAQJOI0035	EDAQJOI0070
Material	-	Graplene VN	
Color	-	Red	
Dimensions	cm	Single 12 x 7 x H3,5	Double 12 x 7 x H7
Weight	kg	0,05 (± 10%)	0,08 (± 10%)
Pieces per bag		400	300
Production place	-	Italy	Italy